

IN THE DRAWINGS

Please amend Figure 1 as shown in the enclosed replacement sheet. Figure 1 has been amended to replace the reference number 12 for the lower right integrated circuit block with the reference number 16.

Further, Applicant submits that Figure 1 as shown in the enclosed replacement sheet is formal. Accordingly, a separate letter to the Official Draftsperson has been submitted with this reply.



**REPLACEMENT
SHEET**

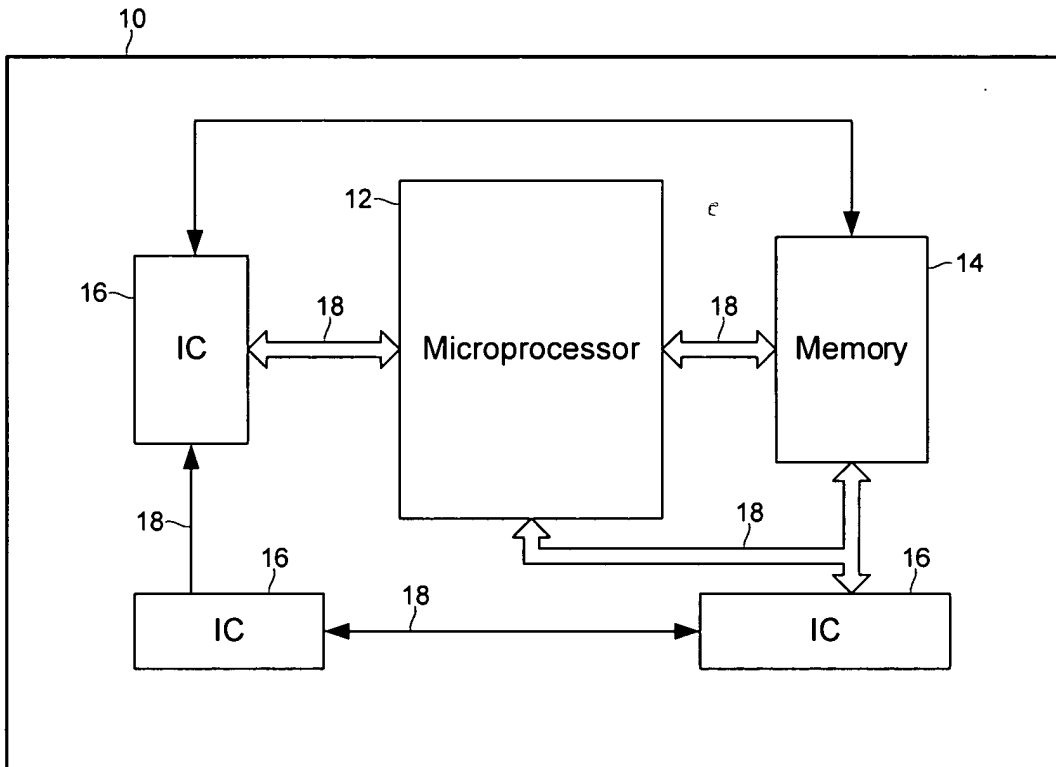


FIGURE 1
(Prior Art)